

Thank you for purchasing the Seiko Metronome & Tuner SMP100. Please read this instruction manual carefully before using your SMP100, as proper use is important to ensure the life of the product.

Store this instruction manual in a place that is readily accessible and refer to it regularly.

PRECAUTIONS

The following warnings and cautions are important in ensuring safe and proper use of the product, preventing injury to yourself and others, and preventing damage to your belongings.

- Do not disassemble, attempt to repair, or tamper with the product or battery.
- Do not handle the product with wet hands.
- Do not use or store the product in places where it may become wet such as in bathrooms, near sinks, or outdoors.
- Do not expose the batteries to fire.
- Use only the batteries specified for this product.
- Do not insert pins or other foreign objects into the product.
- In the event that such an object gets trapped in the device, cease use of the device and contact the store of purchase or a professional for assistance.
- Do not place the product on unstable surfaces.
- Do not intentionally throw or drop the product.
- Do not use or store the product in places where it may be exposed to extremely high temperatures such as near heaters, on devices that generate heat, in direct sunlight, or in vehicles.
- Do not use or store the product in places where it may be exposed to extremely high levels of humidity.
- Keep the product out of the reach of small children.
- Keep removed batteries and the battery lid out of the reach of small children. In the event that a child swallows these parts, contact a physician immediately.
- Do not apply excessive force to the switch or body of the product.
- Do not mix old and new batteries or batteries of different types.
- Do not let leaked battery fluid come in contact with your skin.
- Do not use or store the product in dusty places or places prone to vibration.
- Do not use thinner or alcohol to clean the product.
- Replace all (two) batteries of the product at the same time. When installing new batteries, check that the (+) and (-) terminals are oriented correctly.
- Remove the batteries when depleted or when not using the product for a long period of time.
- Use headphones at a safe volume.

Please refer to the "BATTERY REPLACEMENT" section and insert included batteries before use.

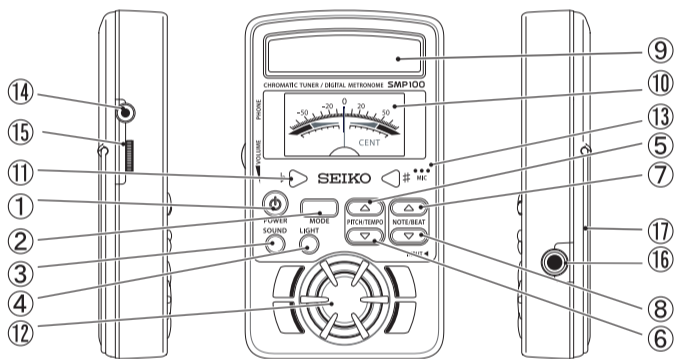
The batteries included with the metronome are for functionality testing and their life may be shorter than expected.

FEATURES OF THIS PRODUCT

This product can be used as a tuner or a metronome.

In tuning mode you can choose between tuning with the meter and tuning while listening to a reference tone.

NAMES OF PARTS



- ①POWER button②MODE button③SOUND button④LIGHT button⑤PITCH/TEMPO UP button⑥PITCH/TEMPO DOWN button⑦NOTE/BEAT UP button⑧NOTE/BEAT DOWN button⑨Liquid crystal display⑩Meter⑪LED⑫Speaker⑬Built-in microphone⑭Earphone jack⑮Volume knob⑯Input jack⑰Stand

TURNING ON/OFF AND MEMORY BACK-UP

Use the POWER button to turn the product on and off.

The product will be in tuner mode the first time you turn it on and when you turn it on after changing the battery. The product will remember the settings you use [for reference pitch, note, tempo, beat, and tone] and automatically use the most recent settings when you turn the product on for the second time or thereafter (memory back-up function). However, if the product is turned off while the reference pitch is playing, the reference pitch will be set to off when the product is turned on.

HOW TO USE THE TUNER MODE

When tuning by looking at the meter

- (1) Use the MODE button to select tuner mode.
- (2) Set the reference pitch. Use the PITCH/TEMPO UP and PITCH/TEMPO DOWN buttons to change the reference pitch. Push and hold to fast forward.
- (3) When you play your instrument the note closest to the one you are playing will be displayed on the LCD and the meter will show if you are sharp or flat. Tune the instrument so that the needle of the meter comes to zero. When the instrument is tuned, both LED lights will flash simultaneously. (See Figure 1)

- * You can also tune your instrument by plugging your guitar or bass's amplifier cord into the input jack of the product, or by plugging the Pickup Microphone (sold separately) into the input jack of the product.
- * The built-in microphone of the product disabled when the input jack is in use.
- * Ambient sound or hum noise from electronic appliances may cause the product to behave as if in use. This is not a malfunction.
- * In some cases, instruments that produce harmonic overtones or short-sustaining tones may not tune accurately.

When tuning by playing a reference tone

- (1) While in tuner mode, push the SOUND button to play the reference tone. (See Figure 2)
- (2) Use the NOTE/BEAT UP and NOTE/BEAT DOWN buttons to change the note. Push and hold to fast forward.
- (3) Use the PITCH/TEMPO UP and PITCH/TEMPO DOWN buttons to change the reference pitch. Push and hold to fast forward.
- (4) Use the volume knob to adjust the volume.
- (5) To turn the reference tone off, press the SOUND button.

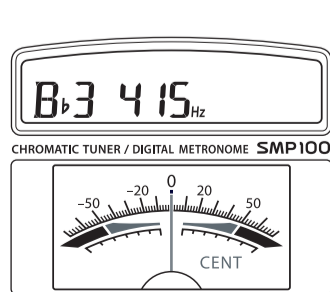
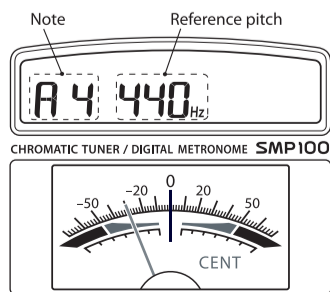


Figure 1: The display when a sound slightly flatter than A4 at a reference pitch of 440 Hz is being played

Figure 2: The display when playing B b 3 at a reference pitch of 415 Hz. The needle of the meter will point to 0 cent.

HOW TO USE THE METRONOME

- (1) Use the MODE button to select metronome mode. The metronome will start and the tempo will be shown by sound, LCD, and LED lights.
- (2) Use the PITCH/TEMPO UP and PITCH/TEMPO DOWN buttons to change the tempo. Push and hold to fast forward.
- (3) Use the NOTE/BEAT UP and NOTE/BEAT DOWN buttons to change the beat/rhythm. Push and hold to fast forward.
- (4) To change the tone of the tempo, push the SOUND button and select S1 or S2.
- (5) Turn the volume knob to adjust the volume.
- (6) Stop the metronome by pushing the mode button or the POWER button.



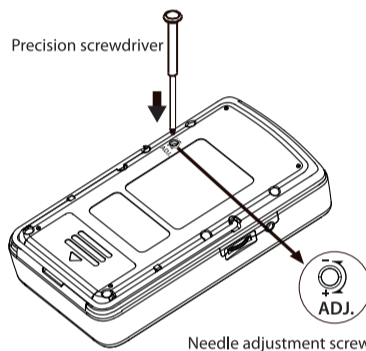
LCD displaying tempo 120, beat 4, S1

OTHER FUNCTIONS

- External Output
The sound of the metronome and the reference tone can be output via the earphone jack. Insert a ϕ 3.5mm headphone plug, such as the SEP2 earphone (sold separately), or connect to an amp to listen via an external speaker.
* When using headphones or an external speaker, be sure to check the volume in advance.
* When the earphone jack is in use, sound will not come from the product's speaker.
- Backlight function
The backlight allows the product to be used easily even if it is dark. Push the LIGHT button to turn on the backlight.
In tuner mode the LCD and the meter will be illuminated but in metronome mode only the LCD will be illuminated.
Press the LIGHT button again to turn off the backlight.
* Battery life becomes shorter when the backlight is used.
- Auto-powerdown
The product will turn off automatically if it unused for a certain length of time. The length of time until the product turns off in each mode is as follows.
 - In tuner mode
 - (1)When tuning with the meter: 10 minutes after any operation or after 10 minutes waiting for tuning.
 - (2)When sounding the reference note: 5 minutes after any operation.
 - In metronome mode
The auto-powerdown function does not operate.

ADJUSTING THE METER NEEDLE

The 0 cent position of the meter needle may shift due to temperature changes, shocks, or the passage of time. If you notice a shift in the needle position during tuning, adjust the 0 cent position of the meter needle.



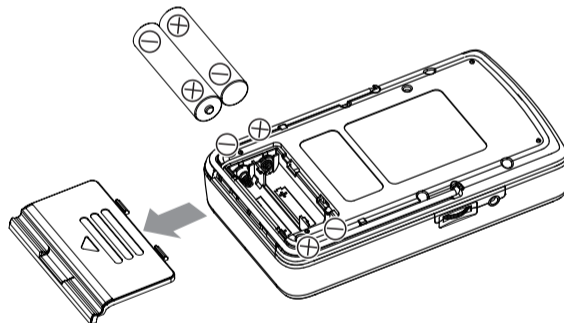
When the product is off and the POWER button is pressed while simultaneously also pressing both the PITCH/TEMPO UP and PITCH/TEMPO DOWN buttons, the product enters needle adjustment mode and the needle of the meter will point to 0 cent.

If the position indicated by the needle is out of alignment with the 0 cents position, use a fine-tipped Phillips-head screwdriver to turn the needle adjustment screw on the back of the device while checking the needle position until the needle aligns with 0 cents position. After making any necessary adjustments, press the POWER button to turn off the power.

- * Turn the needle adjustment screw clockwise to move the needle towards -, or counterclockwise to move the needle towards +.
- * Be sure to use a precision screwdriver for clocks or similar devices when adjusting the needle, and twist slowly to avoid excessive force. Using a screwdriver of the wrong size or applying excessive force to the screw may damage the device.
- * The meter of your SEIKO SMP100 is extremely delicate. Take care not to drop the device.

BATTERY REPLACEMENT

When the battery gets low, the battery icon on the LCD will flash to let you know that it is time to change the battery. Continuing to use a depleted battery could cause the product to malfunction so please change the battery promptly.



Turn the power off. Remove the battery cover on the back of the product by sliding it in the direction of the arrow on the battery cover and remove both depleted batteries. Install two new batteries in the battery holder, making sure that the batteries are aligned with the polarity markings. Replace the battery lid. After replacing the batteries, confirm that the tuner functions normally. When the battery is changed the settings will be cleared and will return to factory settings (reference pitch: 440Hz, reference note: A4, tempo: 120 beats/minute, beat: 0, tone: S1).

- * Be sure that the (+) and (-) terminals of the batteries are oriented correctly.
- * Follow all local ordinances and regulations when disposing of depleted batteries.
- * AAA alkaline batteries are recommended. Rechargeable nickel-metal hydride batteries may also be used.

SPECIFICATIONS

- Tuner
 - Tuning range/Accuracy: A0 ~ C8 (when A4 is set to 440Hz), \pm 1 cent
 - Reference tone range/Accuracy: C2 ~ C5 (37 notes), \pm 1 cent
 - Pitch shift: A4= 410 ~ 450Hz
- Metronome
 - Tempo range/Accuracy: 30 ~ 250 beats/min. (\pm 0.2%)
 - Beat/Rhythm types: 0 ~ 7, 6/8,
 - Tempo tones: 2 types
- Other
 - Volume control: Volume dial
 - Input: Built-in microphone, ϕ 6mm jack (mono)
 - Output: ϕ 3.5mm jack (stereo), speaker
 - Auto power-off: 10 min. (tuner), 5 min. (reference tone)
 - Power supply: AAA batteries x 2 (AAA rechargeable nickel-metal hydride batteries may also be used)
- Battery life: Approximately 100 hours (Continuous A4 input, backlight off)
Approximately 50 hours (continuous use at tempo 120, beat 2, tone S1, maximum volume, backlight off)
- Operating temperature range: 0°C - 40°C
- Dimensions/Weight : 79 (W) x 138 (H) x 30(D) mm, approximately 180g (including batteries)
- Accessories: AAA alkaline battery x 2 (for functionality testing), Storage pouch, instruction manual

* The design and specifications are subject to change without prior notice for product improvement.